

P3 COLOR

Portable LED Light

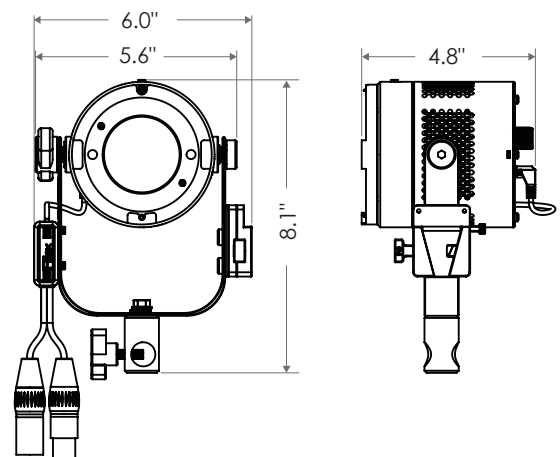
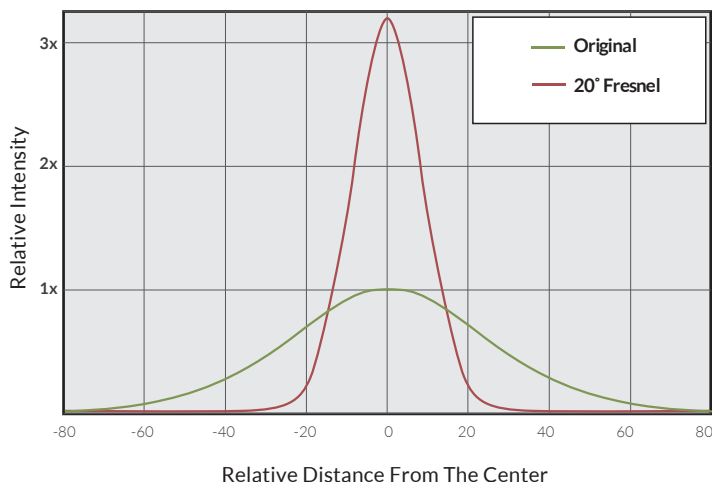
The **P3 COLOR** is a portable 90W LED fixture that packs a ton of features into its compact two pound housing. The P3's white light output ranges from 2000 - 10000K with excellent CRI, and its various color control modes allow users to access the full range of vibrant RGBW illumination. At the core of the P3 is Fiilex's patented Dense Matrix LED, which is an extremely small light source capable of producing crisp shadows and clean barndoor cuts. Accessory attachments can diffuse or focus the P3's output. No other portable LED fixture can match the P3's combination of power, size, and versatility.



FEATURES

- High-CRI white light output (2000-10000K)
- 8 and 16-bit color modes: CCTRGBW, CCTHSI, CIExy, etc.
- IP-X5 Rating (water resistant)
- Easy PSU / battery mounting on yoke
- Removable yoke for versatile rigging
- Light intensifying / diffusing accessories available
- XLR-5 DMX Adapter yoke attachment available
- Smooth and Sharp dimming modes
- DMX-controllable fan modes: Full, Variable, Silent, Off
- 4-leaf barndoor cuts clean with no color splitting

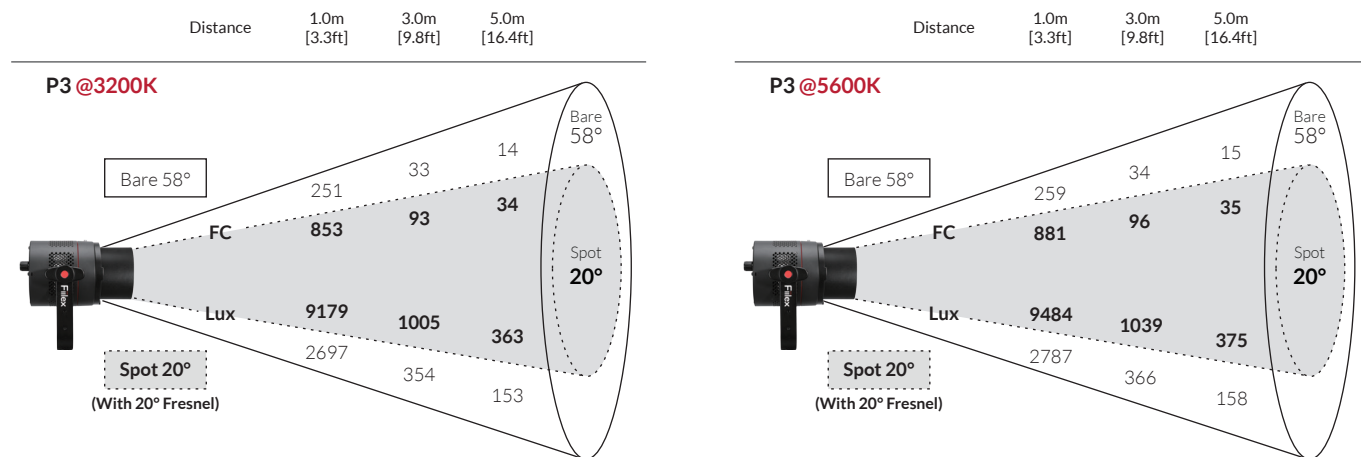
BEAM PROFILE



SPECIFICATIONS

Beam Angle	60° (20° with fresnel accessory)
CCT Range	2000-10000K continuous tuning + magenta/green shift
CRI / TLCI	95 / 90 typical
Control Modes	CCT, HSI, RGBW, GEL, CCTRGBW, CCTHSI, CIExy, ICTHS, and more
Dimming	100% - 0% flicker free
Dimming Modes	Smooth, Sharp
Light Engine	DiCon Dense Matrix LED
Power Consumption	90W max AC 80W max DC
BTUs/hour	307 (BTUs/hour) max
DC Input	14 - 30V DC (via 5.5mm x 2.5mm Barrel)
AC Input	100 - 240V AC, 50 ~ 60Hz (via 5.5mm x 2.5mm Barrel)
DMX/RDM Port	TRRS (XLR-5 DMX Adapter accessory available)
USB Power Output	5V/1A (via USB-C)
Weight	2.0lbs / 0.9kg
Size (L x W x H)	4.8" x 6.0" x 8.1" / 12.2cm x 15.2cm x 20.6cm
Mount	Baby stud 5/8" female (16mm)
IP Rating	IP-X5 (water-resistant)
Thermal Design	Advanced vapor cooling system (fan cooled)
Operating Temperature	32 - 104°F / 0 - 40°C

PHOTOMETRIC DATA



ACCESSORIES

